

1742 Rivscrew PL

Steel - Dome head

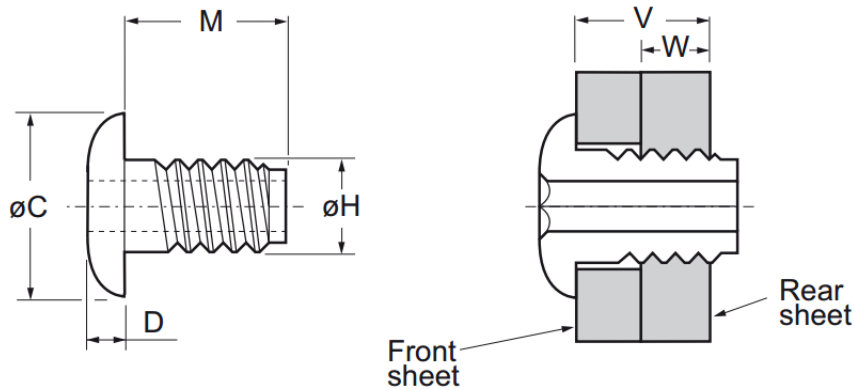
3.0 mm (.118") - 4.5 mm (.178")

Features

- Threaded, removable speed fasteners that combine the speed of rivet placement with the removability of a screw
- Especially designed for soft and hard plastics
- Special thread design for a wide range of plastics with a flexural modulus between 340,000 and 1,400,000 p.s.i (2,000 to 10,000 N/mm²)
- Wide grip range from 3.0 to 11.8 mm covered by one fastener
- Have same features and benefits as the standard Rivscrew fasteners

Material

- Low carbon steel, zinc plated, clear trivalent passivated
(BS 3111 Type 0, SAE 1008, DIN 1654 Qst 34-3)



Part No.	Size ø	øH	Front Sheet Hole Size		Rear Sheet Hole Size		øC	M	W	V	D	Hex Key Size
	nom.		max.	min.	max.	min.						
01742-03008	3.0 (.118")	2.81	3.28	3.35	2.82	2.90	6.2	6.93	2.79	5.46	1.19	1.60 (1/16")
01742-03012								10.11		8.64		
01742-03016								13.28		11.81		
01742-03508	3.5 (.138")	3.09	3.53	3.63	3.10	3.18		6.93	3.04	5.46		2.00 (5/64")
01742-03512								10.11		8.64		
01742-03516								13.28		11.81		
01742-04008	4.0 (5/32")	3.39	4.09	4.17	3.40	3.47		6.93	3.04	5.46		2.50 (.098")
01742-04012								10.11		8.64		
01742-04016								13.28		11.81		
01742-04508	4.5 (.178")	3.99	4.93	5.00	4.00	4.08	6.93	3.04	5.46	-		
01742-04512							10.11		8.64			
01742-04516							13.28		11.81			